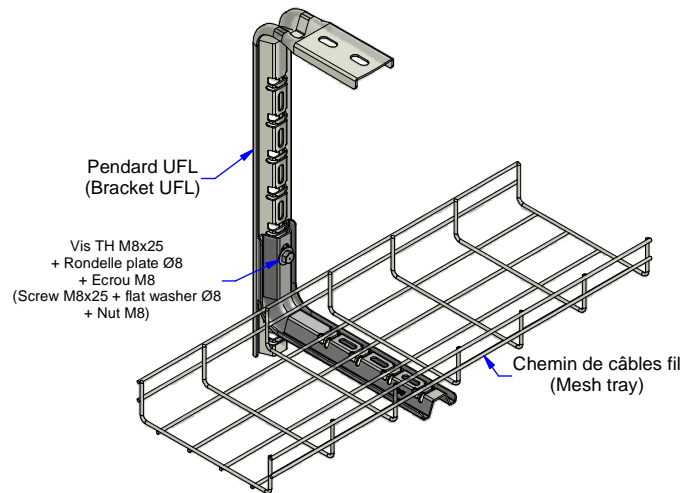


Description	Code	Masse/Weight Kg/p	Ep./Th. mm	H mm	l.w. mm	daN
UFLP-10 ZM	748030	0,31	2,00	120	165	130
UFLP-15 ZM	748031	0,37	2,00	120	215	108
UFLP-20 ZM	748032	0,46	2,00	120	265	86



ZM : High performance coated zinc according to NF A 91102

ZM : Revêtement haute tenue corrosion suivant NF A 91102



www.niedaxfrance.fr

CONSOLE UFLP ZM
BRACKET UFLP ZM



ASSISTANCE TECHNIQUE
+33 (0)1 55 95 92 17
pole.technique@niedax.fr

FT02062

NIEDAX
France

